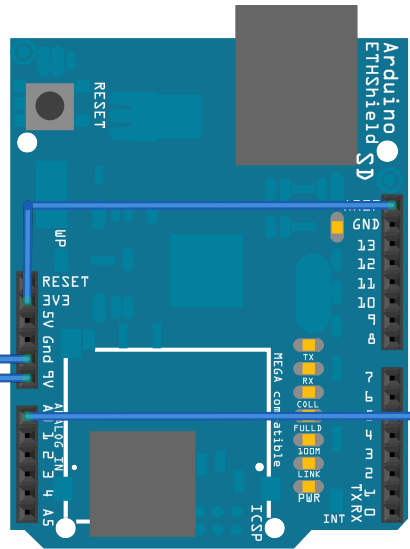
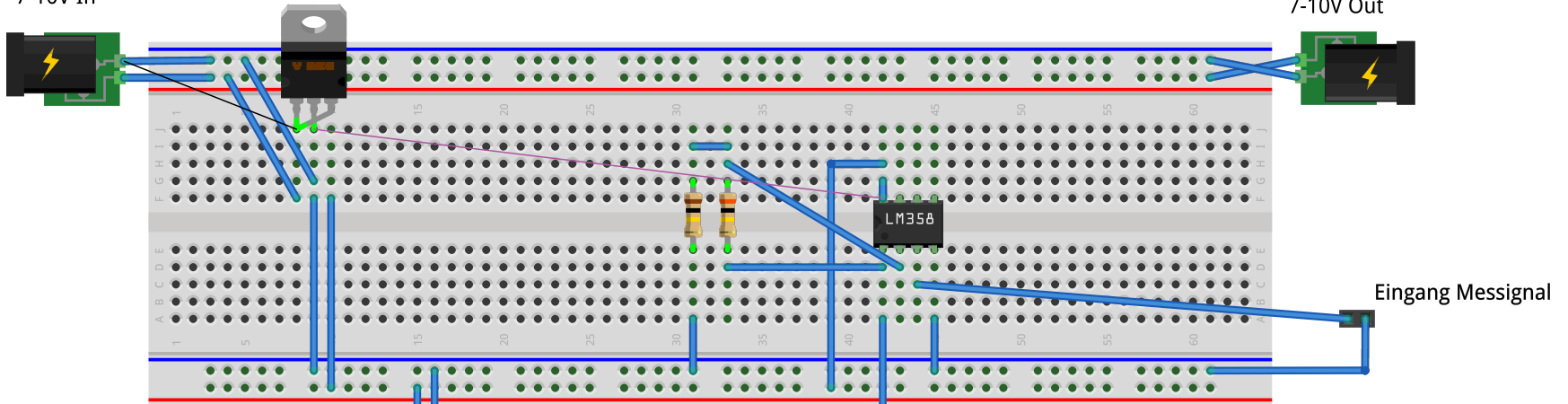


7-10V In

7-10V Out



Arduino Ethernet Shield